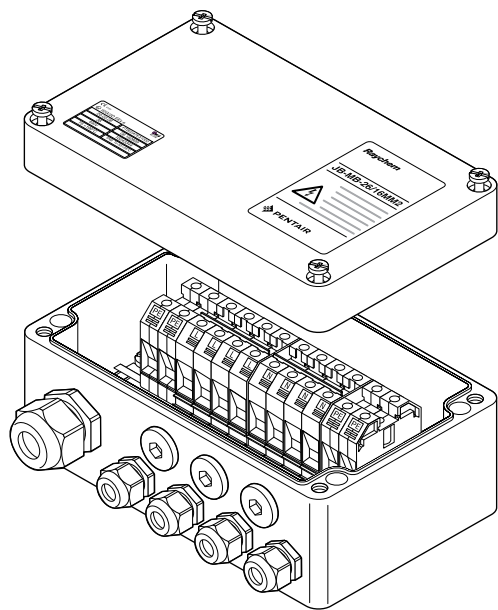
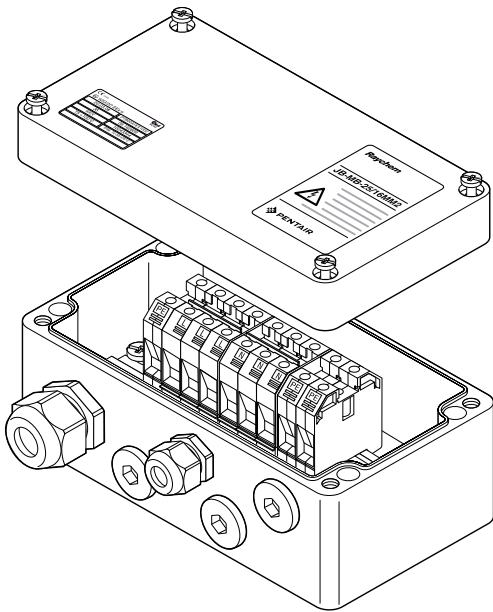


Raychem JB-MB-25/16MM2 AND JB-MB-26/16MM2

MARSHALLING BOX 



Both connection boxes are ATEX approved polyester marshalling boxes that can be used in hazardous areas.

The JB-MB-25/16MM2 is intended to split a power cable into a maximum of four subsequent heat-tracing feeders, while the JB-MB-26/35MM2 allows the connection of maximum seven subsequent heat-tracing feeders. They are particularly suited for powering multiple short heat-tracing circuits from a single supply point, typically in instrumentation areas or where the power infrastructure is limited.

Cable connection is accomplished via DIN rail mounted screw terminals that allow the connection of a wide range of cable cross sections. The terminals are already equipped with the necessary terminal jumpers to minimize installation time.

Both boxes can be wall mounted via the four holes moulded in base of each box.

The JB-MB-25/16MM2 can also be pipe mounted with a standard support bracket.

JB-MB-25/16MM2 AND JB-MB-26/16MM2

TYPICAL USE

JB-MB-25/16MM2

Marshalling box

JB-MB-26/16MM2

Marshalling box

ENTRIES

1 x M32
4 x M25

1 x M32
7 x M25

KIT CONTENTS

1 junction box with Weidmüller screw terminals on DIN rail, two sets bridged per three and three earth terminals,
1 M32 Hazardous area approved cable gland for power cables with \varnothing of 12 to 21 mm,
1 M25 Hazardous area approved cable gland for power cables with \varnothing of 8 to 17 mm,
3 M25 stopping plugs

1 junction box with Weidmüller screw terminals on DIN rail, two sets bridged per four and four earth terminals,
1 M32 Hazardous area approved cable gland for power cables with \varnothing of 12 to 21 mm,
4 M25 Hazardous area approved cable glands for power cables with \varnothing of 8 to 17 mm,
3 M25 stopping plugs

APPROVALS

PTB 00 ATEX 1002

⊕ II 2G/D EEx e II T6 IP66

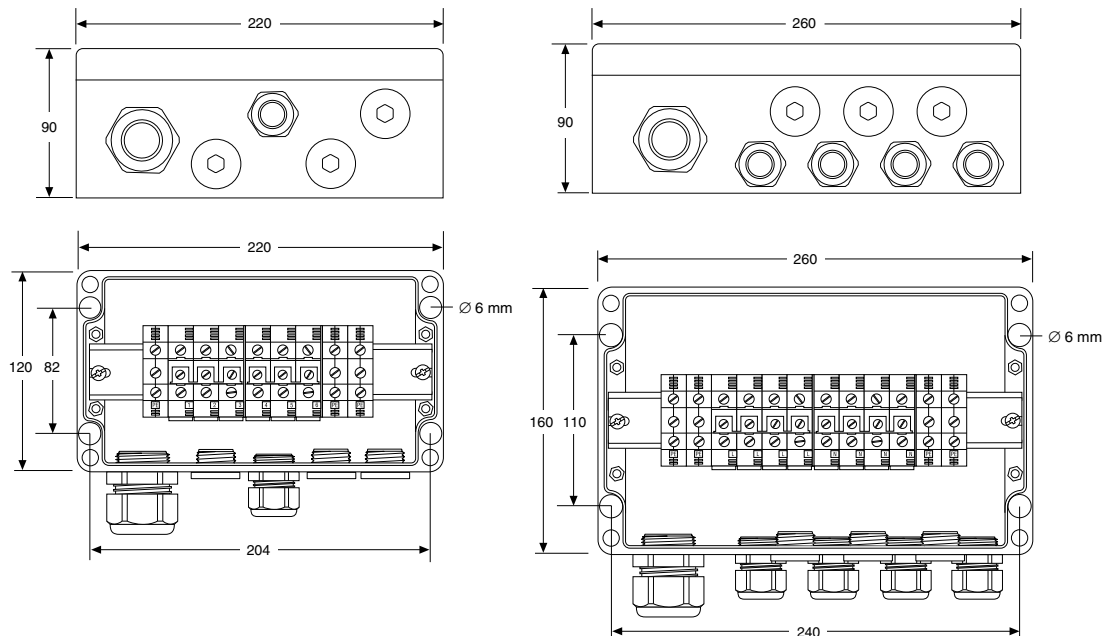
EAC (Russia, Kazakhstan, Belarus)

For other countries contact your local Pentair representative.

PTB 00 ATEX 1002

⊕ II 2G/D EEx e II T6 IP66

DIMENSIONS (IN MM)



MATERIALS OF CONSTRUCTION	JB-MB-25/16MM2	JB-MB-26/16MM2
Box & lid	Glass filled polyester	Glass filled polyester
Sealing gasket	Silicone rubber	Silicone rubber
Lid fixing screws	Stainless steel (captive)	Stainless steel (captive)
INGRESS PROTECTION		
	IP66	IP66
AMBIENT TEMPERATURE RANGE		
	-50°C to +55°C	-50°C to +55°C
TERMINALS		
Quantity & type	9 pcs Weidmüller screw terminals, bridged per 3, 6 x WDU16, 3 x WPE16, Max. 8 fully loaded phase/neutral terminals; max. 12 terminals in total	12 pcs Weidmüller screw terminals, bridged per 4, 8 x WDU16 and 4 x WPE16, Max. 10 fully loaded phase/neutral terminals; max. 15 terminals in total
Labelling	1, 2, 3, 4, 5, 6 and PE	L, N and P.E.
Minimum conductor size	1.5 mm ² stranded & solid	1.5 mm ² stranded & solid
Maximum conductor size	25 mm ² stranded, 16 mm ² solid	25 mm ² stranded, 16 mm ² solid
MAXIMUM OPERATING VOLTAGE		
	690 V a.c.	690 V a.c.
MAXIMUM OPERATING CURRENT		
	50A	50A
ACCESSORIES (TO BE ORDERED SEPARATELY)		
Support bracket PN	SB-125 165886-000	N.A. (wall mounting)
M25 Power cable gland PN	GL-36-M25 (1 included) 774424-000	GL-36-M25 (4 included) 774424-000
M32 Power cable gland PN	GL-45-M32 (included) 1244-000847	GL-45-M32 (included) 1244-000847
M25 Stopping plug PN	HWA-PLUG-M25-PLASTIC (3 included) 434994-000	HWA-PLUG-M25-PLASTIC (3 included) 434994-000
16 mm ² Phase terminal PN	HWA-WDM-PHASE-16 (6 included) 1244-006992	HWA-WDM-PHASE-16 (8 included) 1244-006992
16 mm ² Earth terminal PN	HWA-WDM-EARTH-16 (3 included) 1244-006993	HWA-WDM-EARTH-16 (4 included) 1244-006993
Terminal jumper for bridging 2 terminals PN	HWA-WDM-JUMPER-16-2 1244-006997	HWA-WDM-JUMPER-16-2 1244-006997
Terminal jumper for bridging 3 terminals PN	HWA-WDM-JUMPER-16-3 1244-006998	HWA-WDM-JUMPER-16-3 1244-006998
Terminal jumper for bridging 4 terminals PN	HWA-WDM-JUMPER-16-4 1244-006999	HWA-WDM-JUMPER-16-4 1244-006999
Endplate PN	HWA-WDM-PLATE 124-007004	HWA-WDM-PLATE 1244-007004
ORDERING DETAILS		
Order reference	JB-MB-25/16MM2	JB-MB-26/16MM2
Part number (Weight)	1244-006656 (0.9 kg)	1244-006657 (1.9 kg)



WWW.PENTAIRTHERMAL.COM

EUROPE, MIDDLE EAST, AFRICA

Tel: +32.16.213.511
Fax: +32.16.213.603
thermal.info@pentair.com

UNITED KINGDOM

Tel: 0800 969 013
Fax: 0800 968 6241
salesthermaluk@pentair.com

IRELAND

Tel: 1800 654 241
Fax: 1800 654 240
salesie@pentair.com

All Pentair trademarks and logos are owned by Pentair or its global affiliates. Pentair reserves the right to change specifications without prior notice.

© 1998-2014 Pentair.