

Insulation entry kit

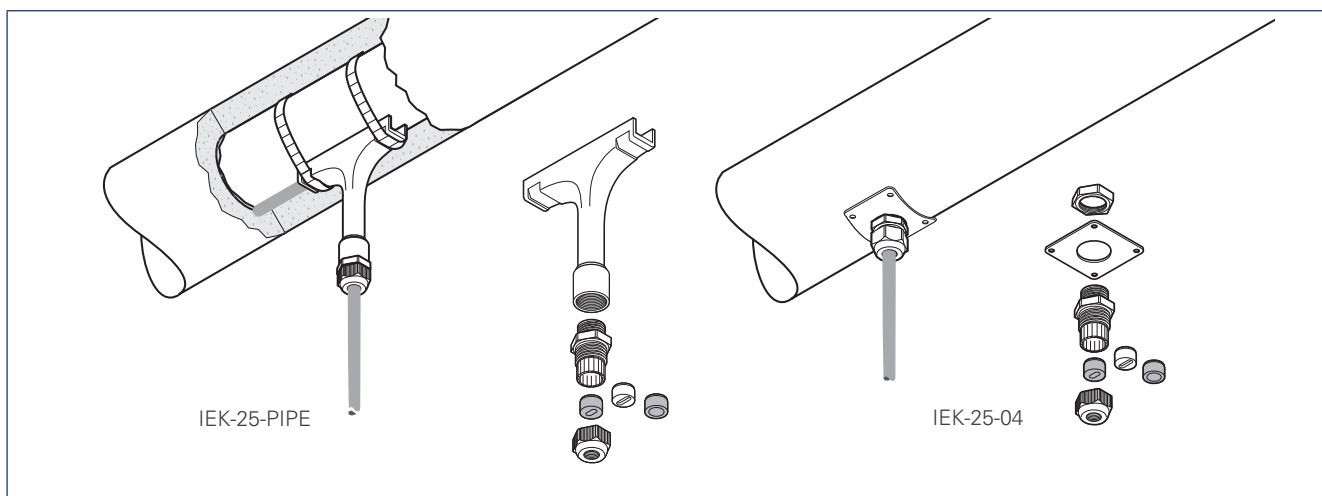
Insulation entry kits are designed to protect cables when passing through the thermal insulation cladding. The IEK's are suitable for all type of parallel heating cables as well as power cables. Insulation entry kits may be used in hazardous and non hazardous areas.

The gland and the grommet provided in the kit provide strain relief and environmental sealing to avoid water ingress in the insulation.

The IEK-25-PIPE contains a protective guiding tube which is fixed to the pipe and allows the heat-tracing installation

to be completed independently from the insulation work. The IEK-25-04 contains a stainless steel plate which can be screwed to the cladding.

Insulation entry kits can be used for installations on pipes, tanks and vessels etc.



Description	IEK-25-PIPE	IEK-25-04
Application	Insulation entry kit for pipe mounting for heating- and power cables with an outside diameter in the range of 8 to 17 mm. Kit contains 1 pc.	Insulation entry kit for pipes, tanks and vessels. Usable for all types of polymer heating cables and power cables with an outside diameter in the range of 8 to 17 mm. Kit contains 1 pc.
Kit contents	<ul style="list-style-type: none"> 1 x polymer "T" Tube 1 x plastic gland (M25) with round hole grommet for power cables 1 x bag with 2 silicon grommets for heating cables 	<ul style="list-style-type: none"> 1 x stainless steel fixing plate 1 x plastic gland (M25) with round hole grommet for power cables 1 x bag with 2 silicon grommets for heating cables 1 x locknut
Product specifications		
Max. exposure temp.		
gland	110°C	110°C
tube	260°C	-
Approvals	-	DNV Certificate No. E-8933 and E-8934
Dimensions	Height 135 mm, width 120 mm	Plate 60 x 60 mm (22SWG)
Ordering information		
Part number (Weight)	1244-001050 (0.13 kg)	332523-000 (0.06 kg)

Worldwide Headquarters
Tyco Thermal Controls
7433 Harwin Drive
Houston, TX 77036
USA
Tel: 800-545-6258
Tel: 650-216-1526
Fax: 800-527-5703
Fax: 650-474-7711
info@tycothermal.com
www.tycothermal.com

Canada
Tyco Thermal Controls
250 West St.
Trenton, Ontario
Canada K8V 5S2
Tel: 800-545-6258
Fax: 800-527-5703

Latin America
Tyco Thermal Controls
7433 Harwin Drive
Houston, TX 77036
United States
Tel: 713-868-4800
Tel: 713-735-8645
Fax: 713-868-2333

Europe, Middle East, Africa (EMEA)
Tyco Thermal Controls
Romeinse Straat 14
3001 Leuven
België / Belgique
Tel: +32 16 213 511
Fax: +32 16 213 603

Asia Pacific
Tyco Thermal Controls
20F, Innovation Building,
1009 Yi Shan Rd,
Shanghai 200233,
P.R.China
Tel: +86 21 2412 1688
Fax: +86 21 5426 2937 / 5426 3167

Tyco, Alliance Integrated Systems, AMC, AutoMatrix, AutoSol, BTV, CapaciSense, Chemelex, DHSX, DigiTrace, DigiTrace logo, DigiTrace Supervisor, Duoterm, ElectroMelt, EM2XR, FHSM, FHSC, FlexFit, FlexiClic, Flowguard, FreezeTrace, FreezGard, Frostex, Flostex Plus, Frostguard, FroStop, FSE, Gardian, HAK, Handvise, HBTv, HCCL, HotCap, HQTv, HTPG, HTPI, HWAT, HXTv, IceStop, Interlock, Isocable, Isodrum, Isoheat, Isomantle, Isopad, Isopad Frostguard, Isopad logo, Isopanel, Isotape, Isotherm, JBM, JBS, K-Flex, K-Flex logo, KHE, KHH, KHL, KHP, KTV, Labsafe, LBTv, LHC, LHFV, LHRV, Metabond, Mini WinterGard, Miser WinterGard, MoniTrace, Multi-plus, NGC, PetroTrace, PLI, PolyMatrix, Pyro CiC, PyroFLX, Pyromaster, Pyropak, Pyrosil, PyroSizer, Pyrotenax, Pyrotenax Designer, Pyrotenax logo, QTVR, QuickNet, QuickNet logo, QuickStat, QuickTerm, RayClic, RaySol, RayStat, Retro WinterGard, RHS, RHSC, RHSM, RMM2, SBF, SBV, SC, SHC, Sheathmaster, ShowerGuard, SLBTv, Smart heat for Comfort and Safety, SnoCalc, SnoCalc logo, STS, System 500, System 1850, System 1850-SE, System 2000, System 2200, T2, T2 logo, T2Blue, T2QuickNet, T2Red, T2Reflecta, TankCalc Plus, TempBus, Thermoheat, ThermoLimit, Thermo-Line, Total Care in Heat-tracing, Touch, Trac-Loc, Trac Calc, TraceCalc Net, TraceCalc Net logo, TraceCalc Pro logo, TraceGuard 277, TraceMaster, Tracer, Tracer logo, TRACERLYNX, TRACERLYNX logo, TraceStat, TraceTek, TraceTek logo, TruckPak, VLBTv, VLKTV, VPL, We manage the heat you need, WinterGard, WinterGard logo, WinterGard Plus, WinterGard Wet, XL-ERATE, XL-ERATE logo, XL-Trace, XTV and Zero EMI are registered and/or unregistered trademarks of Tyco Thermal Controls LLC or its affiliates.

All other trademarks are the property of their respective owners.

tyco
Thermal Controls

***Important:** All information, including illustrations, is believed to be reliable. Users, however, should independently evaluate the suitability of each product for their particular application. Tyco Thermal Controls makes no warranties as to the accuracy or completeness of the information, and disclaims any liability regarding its use. Tyco Thermal Controls' only obligations are those in the Tyco Thermal Controls Standard Terms and Conditions of Sale for this product, and in no case will Tyco Thermal Controls or its distributors be liable for any incidental, indirect, or consequential damages arising from the sale, resale, use, or misuse of the product. Specifications are subject to change without notice. In addition, Tyco Thermal Controls reserves the right to make changes—without notification to Buyer—to processing or materials that do not affect compliance with any applicable specification.*