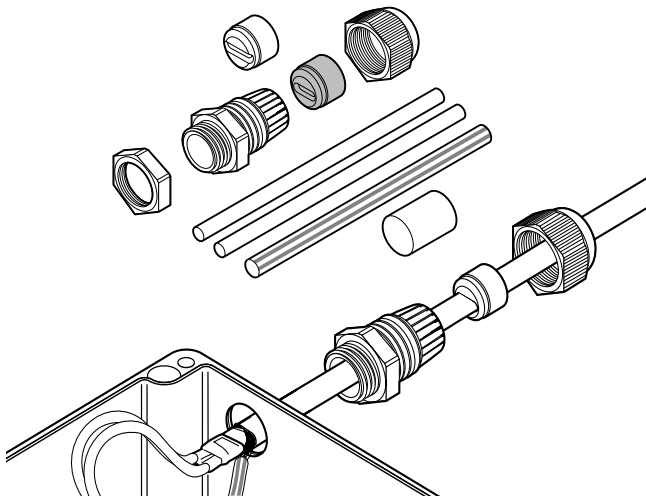


# Raychem C25-21

## HEAT-SHRINK CONNECTION KIT



This connection kit is designed for terminating all Raychem BTV, QTVR, XTV, KTV and VPL industrial parallel heating cables to a junction box, whilst maintaining electrical insulation of the heating cable conductors and core.

The sealing of the heating cable core is provided by Raychem heat-shrinkable sleeves. Two grommets supplied in this kit enable the gland to maintain optimum sealing under various ambient conditions.

An additional locknut is provided for unthreaded entries.

### APPLICATION

Connection kit for BTV, QTVR, XTV, KTV and VPL parallel heating cables


### KIT CONTENTS


1 gland,  
2 grommets,  
1 locknut,  
1 green/yellow tube, heat-shrinkable sleeves for core sealing,  
1 installation instruction (multilingual)


### APPROVALS

The kit is certified as part of the system approval of the various heating cables.

BTV	QTVR	XTV	KTV	VPL
Baseefa06ATEX0183X	Baseefa06ATEX0185X	Baseefa06ATEX0184X	Baseefa06ATEX0186X	Baseefa06ATEX0188X
IECEX BAS 06.0043X	IECEX BAS 06.0045X	IECEX BAS 06.0044X	IECEX BAS 06.0046X	IECEX BAS 06.0048X

 II 2G Ex e II II 2D Ex tD A21 IP66

 Ex e II Ex tD A21 IP66

**EAC**  TC RU C-BE.MH062.B.02853  
1Ex e II 2D  
Ex tD A21 IP66

### PRODUCT SPECIFICATION

Area classification	Hazardous, Zone 1, Zone 2 (Gas), Zone 21, Zone 22 (Dust) Ordinary
Type	Heat-shrinkable
Thread size	M25 x 1.5
Min. ambient temperature	-55°C
Max. exposure temperature (gland)	110°C
IP ingress protection rating	IP66

### ORDERING DETAILS

Part description	C25-21
PN (Weight)	311147-000 (0.06 kg)