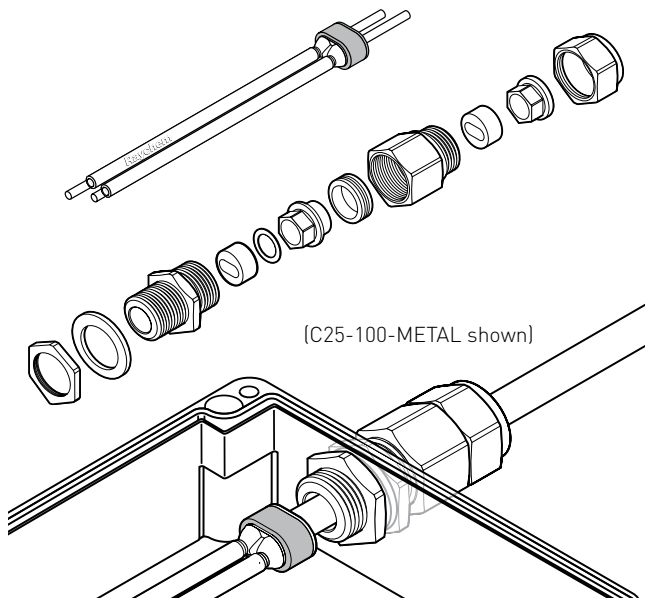


Raychem C25-100-METAL AND C3/4-100-METAL COLD APPLIED METAL CONNECTION KIT



These connection kits are designed for terminating all Raychem BTV, QTVR, XTV, KTV and VPL industrial parallel heating cables to a junction box, whilst maintaining electrical insulation of the heating cable conductors and core.

The braid is directly connected to the metal gland body. The connection kits can be used with metal boxes or plastic boxes with internal earthing plate. They are approved for use in hazardous areas.

The core sealing boot does not require a heat gun or torch for the installation (no hot work permit necessary). The non-curing sealant (silicone free) allows easy installation and facilitates maintenance purposes.

The C25-100-METAL kit is designed for use with M25 entries, the C3/4-100-METAL for 3/4" NPT entries.

A metal locknut is provided for earth bonding in plastic junction boxes.

APPLICATION

C25-100-METAL



C3/4-100-METAL

Connection kit for BTV, QTVR, XTV, KTV and VPL parallel heating cables

KIT CONTENTS

- 1 gland,
- 2 grommets,
- 1 locknut and sealing washer (only M25),
- 1 core sealer,
- 1 installation instruction (multilingual).

APPROVALS

Sira 01ATEX1270X
 II 2GD Ex d IIC Ex tD A21 IP68
 II 2GD Ex e IIC Ex tD A21 IP68
 IECEX SIR 05.0020X
 Ex d IIC Ex e II Ex tD A21 IP6X
 (complete kit also referred in heating cable system approvals)

EAC Ex TC RU C-BE.M1062.B.02853
 1Ex d IIC / 1Ex e IIC
 Ex tD A21 IP68

EAC Ex TC RU C-BE.M1062.B.02853
 1Ex d IIC / 1Ex e IIC
 Ex tD A21 IP68

C25-100-METAL AND C3/4-100-METAL

SPECIFICATION FOR GLAND

	C25-100-METAL	C3/4-100-METAL
Area classification	Hazardous Zone 1 and 2 (Gas), Zone 21 and 22 (Dust), ordinary In- and outdoors	Hazardous Zone 1 and 2 (Gas), Zone 21 and 22 (Dust), ordinary In- and outdoors
Thread size	M25 x 1.5	3/4" NPT
Gland material	Brass	Brass
Min. ambient temperature	-60°C	-60°C
Max. exposure temperature	180°C	180°C

ORDERING DETAILS

Part description	C25-100-METAL	C3/4-100-METAL
PN (Weight)	875016-000 (0.31 kg)	440588-000 (0.3 kg)

ACCESSORIES

Part description	C25-100-METAL-NP	C3/4-100-METAL-NP
PN (Weight)	1244-002296 (0.31 kg)	1244-001350 (0.3 kg)



WWW.PENTAIRTHERMAL.COM

EUROPE, MIDDLE EAST, AFRICA

Tel: +32.16.213.511
Fax: +32.16.213.603
thermal.info@pentair.com

UNITED KINGDOM

Tel: 0800 969 013
Fax: 0800 968 6241
salesthermaluk@pentair.com

IRELAND

Tel: 1800 654 241
Fax: 1800 654 240
salesie@pentair.com

Pentair is owned by Pentair or its global affiliates. All other trademarks are the property of their respective owners. Pentair reserves the right to change specifications without prior notice.

© 1998-2016 Pentair.